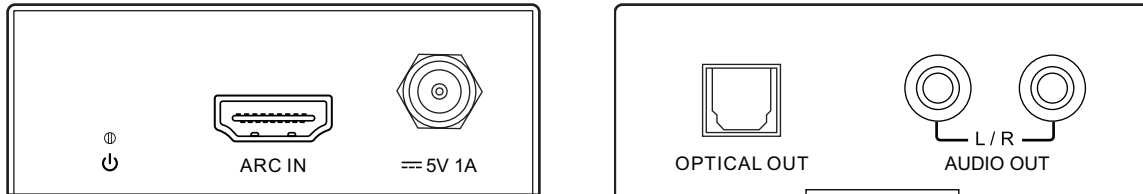


# ARC11

## Quick Reference Guide



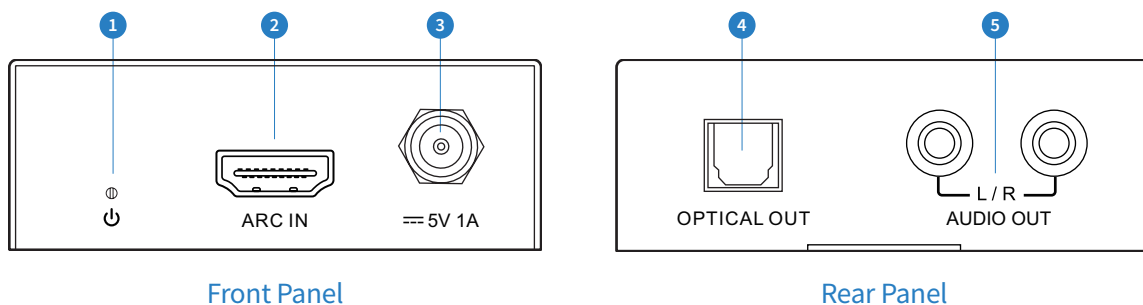
## Introduction

The Blustream ARC11 has been designed to extract audio from the ARC (Audio Return Channel) of a display. Featuring both an analogue audio, and optical audio output, it can extract the ARC audio information for use within a multiroom audio distribution system.

### FEATURES:

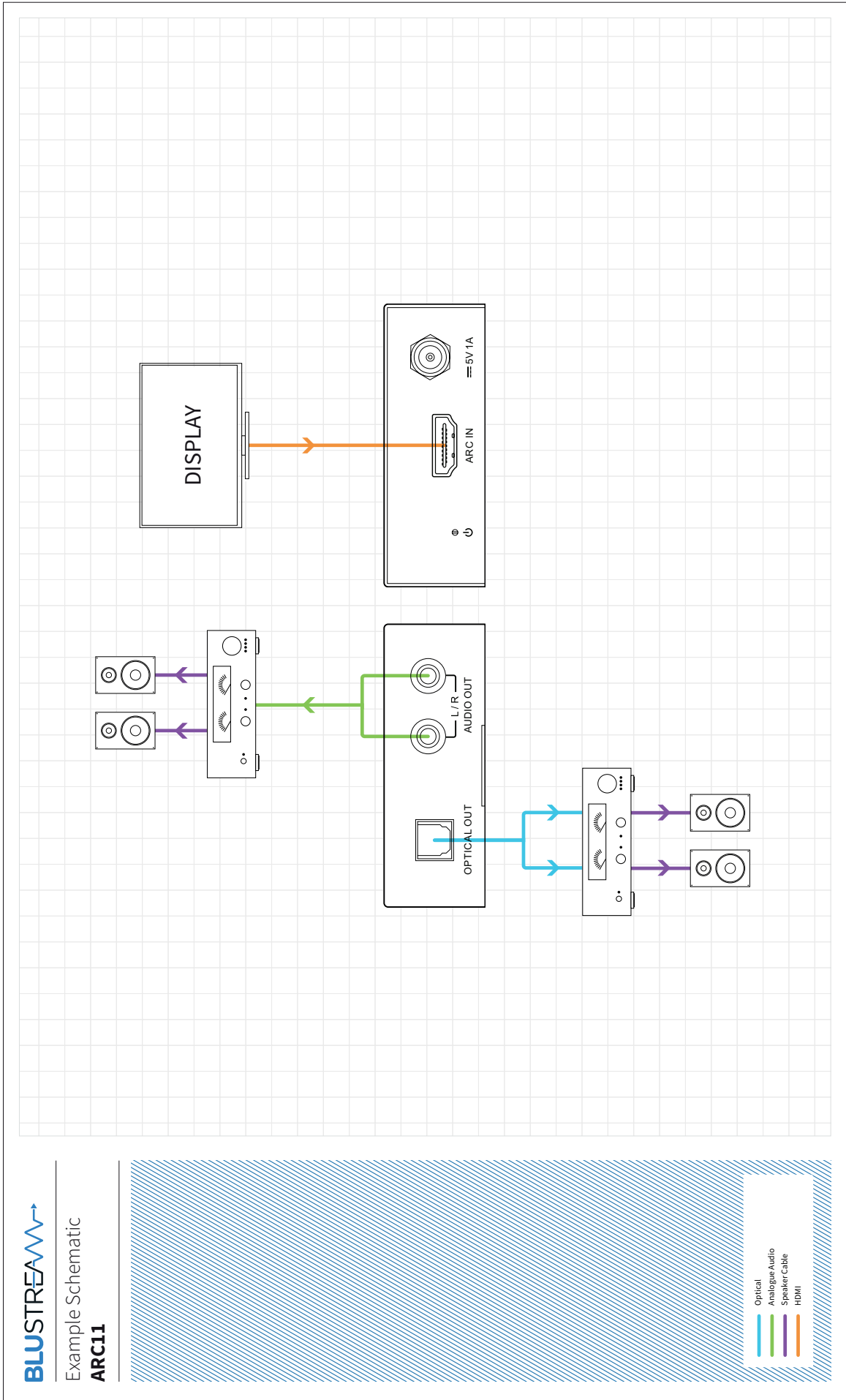
- Extracts audio from the Audio Return Channel of a HDMI signal
- Features analogue audio breakout of 2ch PCM audio signals, where source audio is 2ch PCM
- Features optical audio breakout of multichannel and 2ch audio formats
- Supports the following audio formats: Dolby Digital 5.1, Dolby Digital 2.0, DTS-ES 6.1, DTS 5.1, DTS 2.0, PCM 2.0

## Panel Description



### Connections:

- 1 Power LED indicator - Dual colour LED. Lit blue when detecting unit is powered. Lit blue & purple when detecting ARC input.
- 2 HDMI ARC input - connect to ARC HDMI input on display
- 3 Power port – use supplied 5V/1A DC adaptor
- 4 Optical output – Toslink output will play extracted audio from Audio Return Channel
- 5 L/R analogue audio output – RCA L/R 2ch output will play extracted 2ch PCM audio only from Audio Return Channel



## Integration Notes

- The ARC11 audio extractor can only be used for the extraction of an ARC signal from a display, this will not breakout audio between source and display under normal HDMI signal distribution.
  - CEC (Consumer Electronic Command), or HDMI Control, must be enabled on the display for this unit to receive the ARC signal.
  - The distance from HDMI ARC input port on the display, and HDMI input on the ARC11 is specified to a maximum of 5m. Using a cable longer than this may not yield a stable signal.
  - ARC can only be broken out from the designated HDMI ARC Input port on a display.
- 

## Specifications

**Audio Input Connectors:** 1 x HDMI Type A, 19-pin, female

**Audio Output Connectors:** 2 x RCA analogue left / right, 1 x Toslink optical output

**Dimensions (W x H x D):** 70mm x 73mm x 25mm

**Shipping Weight:** 0.4 Kg

**Operating Temperature:** 32°F to 104°F (0°C to 40°C)

**Storage Temperature:** - 4°F to 140°F (- 20°C to 60°C)

**Power Supply:** 5V/1A DC USB

---

## Package Contents

- 1 x ARC11
- 1 x 5V/1A DC USB Power Supply
- 1 x Mounting Kit
- 1 x Quick Reference Guide