

► **DA44AU**
User Manual

**Thank you for purchasing
this product.**

For optimum performance and safety, please read these instructions carefully before connecting, operating or adjusting this product. Please keep this manual for future reference.

**Surge protection device
recommended.**

This product contains sensitive electrical components that may be damaged by electrical spikes, surges, electric shock, lightning strikes, etc. Use of surge protection systems is highly recommended in order to protect and extend the life of your equipment.

Contents

Introduction	03
Features	03
Panel Descriptions	04
Audio Input Settings	05
Dante® Controller	05 - 06
Advanced Dante® Settings	06
Product Schematic	07
RS-232 Control Port	08
Specifications	09
Packaging Contents	09
Acknowledgements	09
Installer Notes	10 - 11

Introduction

Our DA44AU is a four input / four output Dante® digital audio converter. The DA44AU allows any non-Dante® audio source such as mixing consoles, amplifiers, computers and Blustream Matrix products or distribution products to be connected as an audio source within a Dante® network, as well as converting a Dante® signal back to an analogue audio signal. The DA44AU supports both balanced and unbalanced audio as well as microphone line level inputs inc. 48v phantom power. The DA44AU supports AES67 RTP audio transport.

FEATURES:

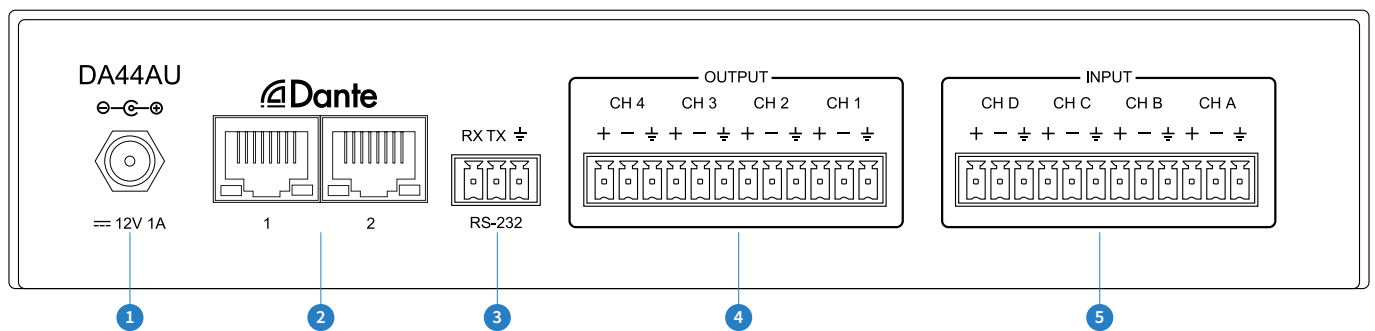
- Features 4x analogue audio inputs that are converted to a Dante® compatible signal
- Features conversion of Dante® signal to 4x analogue audio outputs
- Analogue audio inputs support both balanced and unbalanced audio + MIC line level signals
- MIC line level supports 48V Phantom power
- Supports 44.1, 48 & 96 KHz sample rates @ 24 Bit
- Configurable Dante® device latency (supports 1, 2 or 5ms configurable using Dante® Controller)
- Independent input gain / output volume settings per channel.
- Supports AES67 RTP audio transport

Front Panel



- 1 Power Indicator LED - Illuminates when the unit is powered on
- 2 Input Indicator LED - Illuminates when an analogue audio signal is detected on the associated input into the unit
- 3 NET Indicator LED - Illuminates when the unit is receiving a Dante® network audio signal and audio is output
- 4 Link Indicator LED - Illuminates when the unit is connected to PC configuration software
- 5 48V Phantom Power Indicator LED - Illuminates when 48V phantom power is enabled on the associated input
- 6 Output Indicator LED - Illuminates when a Dante® audio signal is being received and output via the associated output
- 7 LCD Display - Shows the status of network connection and menu selection
- 8 ESC Button - Escapes out of selected menu option
- 9 Rotary Dial / Enter Button - Rotate dial to scroll through selected menu item, press to select current menu item
- 10 Power button - Press to turn the unit on or off

Rear Panel



- 1 Power Port – Use included 12V/1A DC adaptor to power the device
- 2 Dante® Network Ports - 2x RJ45 sockets to connect to Dante® network, note the DA44AU will only allow 1 network connection at a time, the device does not have two independent network interfaces. The 2nd RJ45 is for redundancy but can also be cascaded to additional DA44AU units (up to 7x devices)
- 3 RS232 Port – 3-Pin Phoenix connector to for control of the device from a computer or 3rd party control processor
- 4 4ch Audio Outputs - 12-Pin Phoenix connector to connect to audio amplifier or mixing device, supports both balanced and unbalanced audio output from devices connected to the Dante® network (note: will not output audio connected to the input of the same DA44AU device due to limitations of the Dante® Ultimo chipset)
- 5 4ch Audio Inputs - 12-Pin Phoenix connector to connect to microphone or source audio device to convert the input signal to Dante® audio, supports both balanced and unbalanced signals including 48V phantom power

Audio Input Settings

The DA44AU supports both line level input and microphone input including 48V phantom power. The input level sensitivity can also be adjusted to accommodate various source devices. This can be achieved through the front display menu, using the rotary dial, or via RS-232.

The Audio Input Settings are as follows:

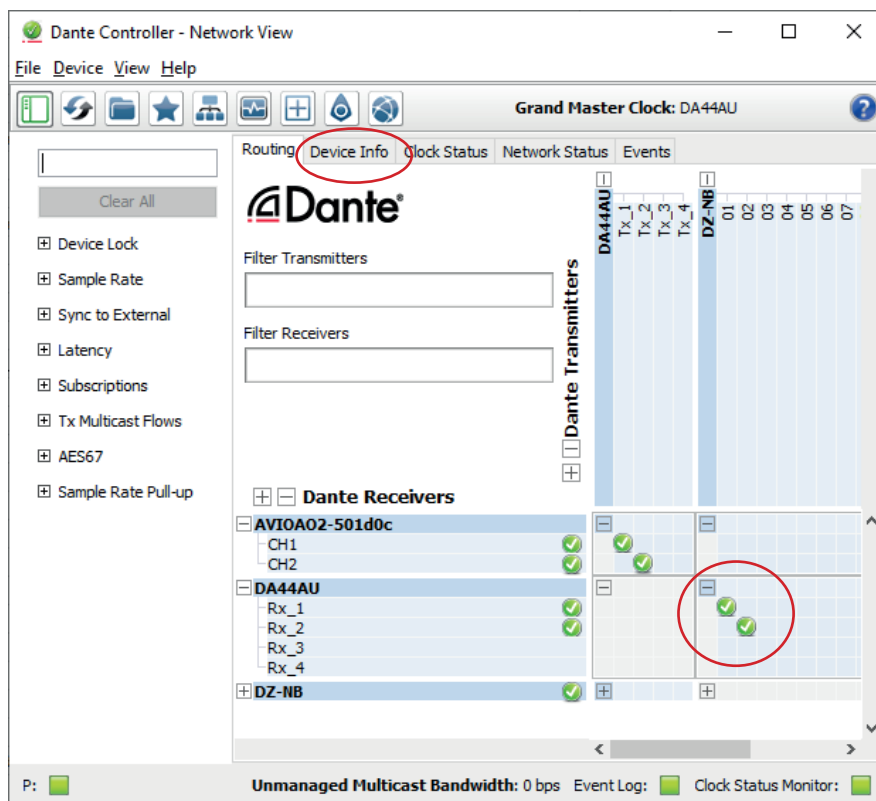
CHANNEL	INPUT TYPE	SENSITIVITY	PHANTOM POWER
A B C D	Microphone	0dB	On Off
		5dB	
		10dB	
		15dB	
		25dB	
	Line	-10dB	
		0dB	

Dante® Controller

Dante® Controller software is required in order to setup and configure the DA44AU as well as control your Dante® network. Audinate provide extensive training videos and documentation on their website. This can be found here: <http://www.audinate.com/products/software/dante-controller>

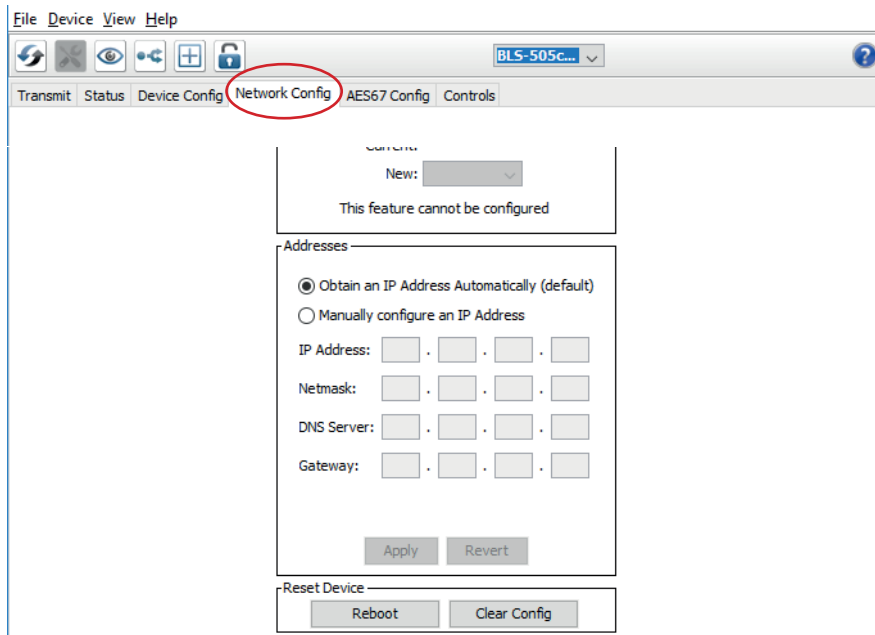
Upon connecting your DA44AU to a compatible network, the Dante® Controller software should automatically discover the device. The DA44AU will appear in the Dante® Controller with a name “DA44AU”. On the “Routing” screen you can create audio routing between Dante® transmitters and receivers in your system.

Note: It is not possible to route audio input into the DA44AU to an output within the same DA44AU due to limitation in the Dante® Ultimo chipset.



Dante® Controller

By default the DA44AU is shipped with its network settings set to obtain an IP Address automatically. This means that if a DHCP server is present on your network, it will provide the DA44AU with an IP Address. If no DHCP server is present then the DA44AU will receive a default IP Address in the 169.254.xxx.xxx range. To change the IP Address of the DA44AU, you must enter the “Network Config” menu in the “Device Info” screen of the Dante® Controller software.

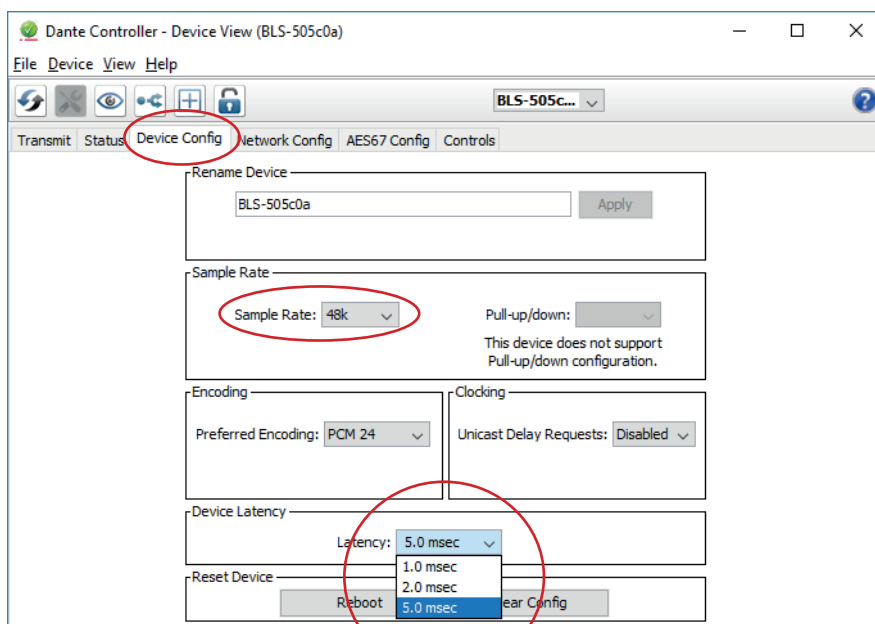


Advanced Dante® Settings

It is also possible to change various Dante® related settings of the DA44AU under the “Device Info” screen in the Dante® Controller software. To do so, select the “Device Config” menu.

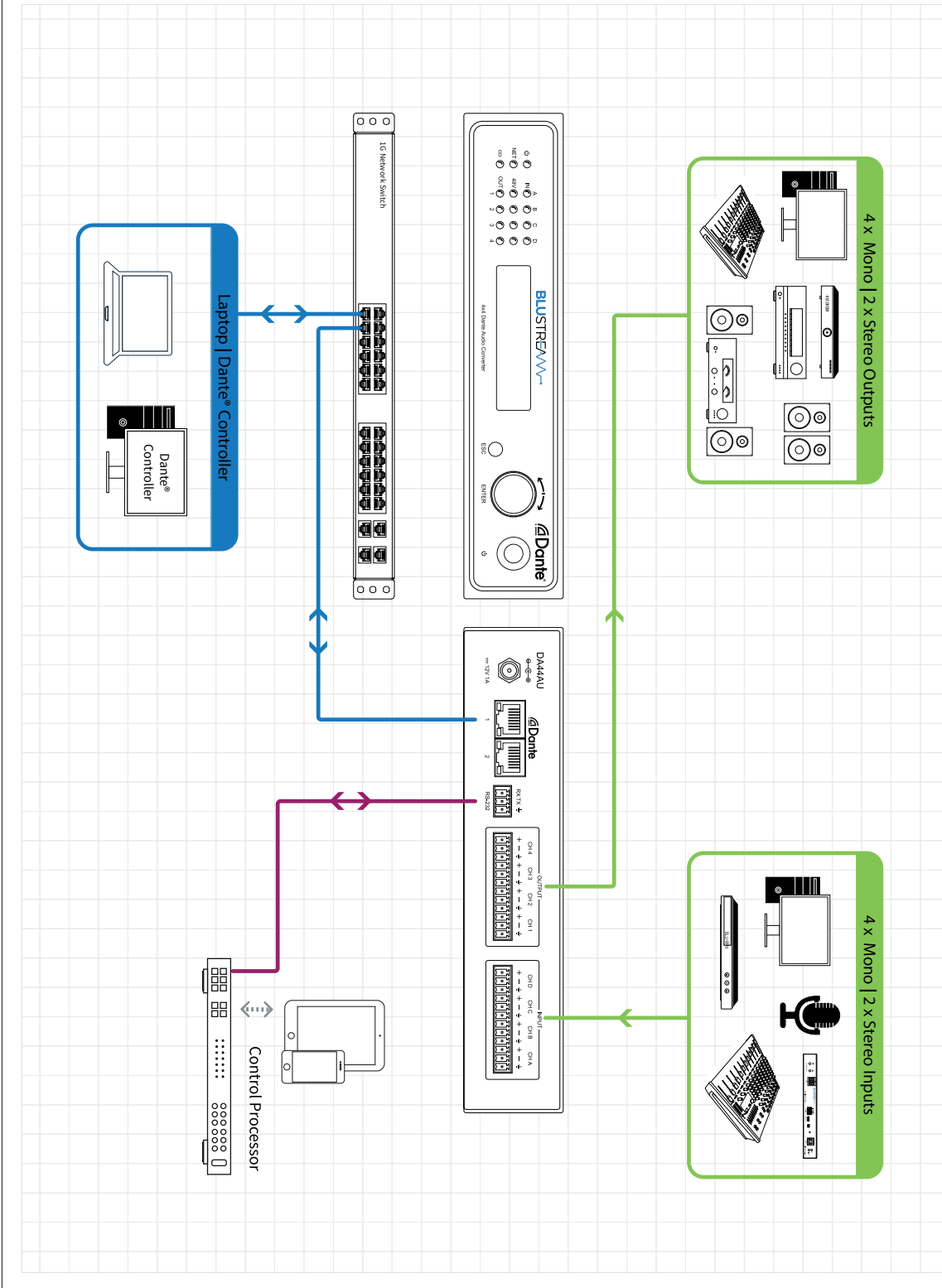
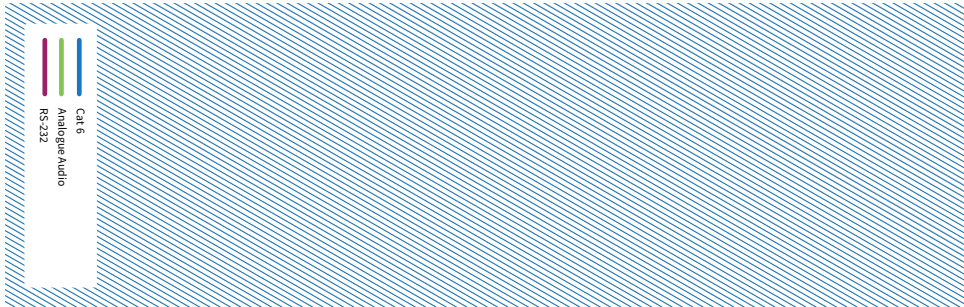
Here we can adjust the sample rate of the DA44AU. **Please Note:** That Dante® products can only transmit or receive audio from other Dante® products that are set up with the same sample rate. A mismatch in sample rate may stop audio from transmitting.

Under the “Device Config” screen we can also adjust the latency of the DA44AU from 1, 2 or 5 milliseconds.



BLUSTREAM

Example Schematic
DA44AU



RS-232 Control Port

The DA44AU can be controlled via a 3-pin Phoenix to serial RS-232 cable.

The communication settings and commands are as follows:

Baud Rate: 57600 bps

Data Bit: 8-bit

Parity: None

Stop Bit: 1-bit

Flow Control: None

RS-232 COMMAND	DESCRIPTION
?	Print Help Information
HELP	Print Help Information
STATUS	Print System Status And Port Status
RESET	Reset System To Default Setting (Type "Yes" To Confirm, "No" To Discard)
PRESET xx APPLY	Apply Preset xx
MUTE xx OUT yy	Mute On/Off Output yy xx= On or Off yy=[00]: All Output Ports, [01...04]: Output Port
IN xx AUD yy zz	Set Mic/Line Input And Sensitivity xx=[00]: All Input Ports, [01...04]: Input Port yy=MIC or LINE zz=00: MIC: 00dB LINE: -10dB zz=01: MIC: 05dB LINE: 00dB zz=02: MIC: 10dB zz=03: MIC: 15dB zz=04: MIC: 25dB zz=05: MIC: 35dB
IN xx PHA yy	Set Input Phantom Power On/Off xx=[00]: All Input Ports, [01...04]: Input Port yy= ON or OFF
RS232BAUD z	Set RS232 Baud Rate To z z = 1 2400, 2 4800, 3 9600, 4 19200, 5 38400, 6 57600 (default), 7 115200
NET DHCP ON/OFF	Set Auto IP (DHCP) On Or Off
NET IP xxx.xxx.xxx.xxx	Set IP Address
NET GW xxx.xxx.xxx.xxx	Set Gateway Address
NET SM xxx.xxx.xxx.xxx	Set Subnet Mask Address
NET RB	Reboot Network And Apply Default Config

Specifications

Audio Input Connectors: 12-PIN Phoenix connector (4ch balanced / unbalanced analogue audio / MIC)

Audio Output Connectors: 2 x RJ45, female (1Gb Dante® network),
12-PIN Phoenix connector (4ch balanced / unbalanced analogue audio / MIC)

Dante® Audio Technology: Dante® Ultimo

Casing Dimensions (W x H x D): 120mm x 23mm x 34mm without feet

Shipping Weight: 1.6 Kg

Operating Temperature: 32°F to 104°F (0°C to 40°C)

Storage Temperature: - 4°F to 140°F (- 20°C to 60°C)

Power Supply: 12V/1A DC

Package Contents

- 1 x DA44AU
 - 1 x User Manual
 - 1 x Mounting Kit
 - 1 x 12V/1A DC Power Supply
-

Acknowledgements

Dante® is a registered trademark of Audinate Pty Ltd.



www.blustream.co.uk
www.blustream.com.au